

STORM 300

Brushless Wheel Drive



Mobile Robots
& AGVs



Floor
Care



Material
Handling



Outdoor Power
Equipment

FEATURES

Sealed drive system: Rugged, compact, designed for outdoor use (IP67 Conformity), dual encoders for safety (supports ISO 13849-1)

Optional components: Electromagnetic power-off brake & cover, multiple connector styles available, temperature sensor, anti-corrosion coatings

Encoders: Primary - Absolute magnetic | Secondary - Incremental Magnetic

Wheel Bearing Rated Load Capacity: 2000 pounds*

Voltage: 24V DC

Motor: Brushless DC

Lead Exit: Adjustable based on mounting orientation

Output Flange Diameter: 115 mm

Maximum Body Diameter: 135 mm

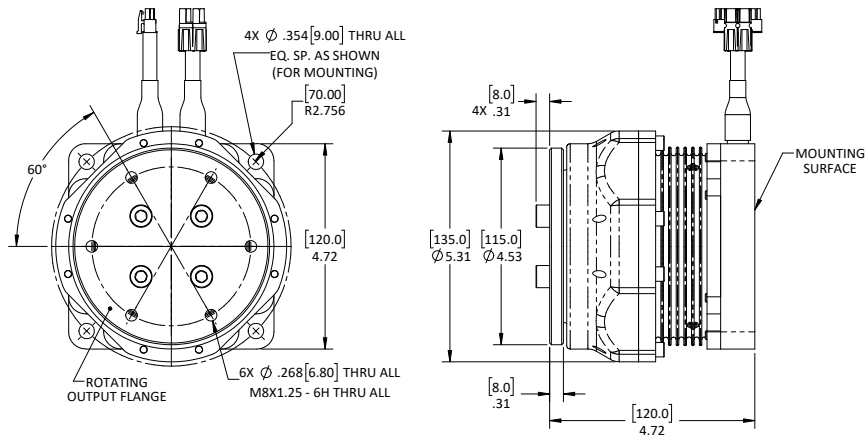
Gear: Planetary

Reduction ratio: 20:1

Brake options available: 6 Nm

PERFORMANCE EXAMPLE

BLDC Motor (24V @ 20:1 Ratio)			
	No Load	Typical	High
Torque, Nm	0	20	30
RPM	145	115	107
Current, Amps	4.4	15.0	20.0
Power Out, Watts	0	297	478
Power In, Watts	105	240	335
Efficiency	0%	67%	70%



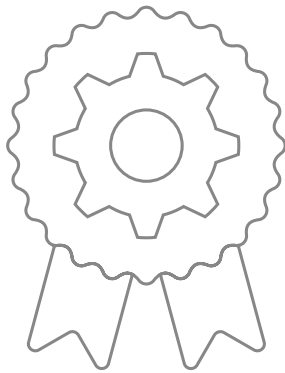
* - Variations to load distribution, duty cycle and application will affect load rating & bearing life.



RESULTS.
DRIVEN.

Lasting solutions to drive your machines. More than industrial designers and engineers, we're a team of passionate problem solvers. ASI Drives: Gear drive systems for battery powered machines up to one ton.

OUR CUSTOMERS HAVE BEEN WITH US FOR OVER **15 YEARS ON AVERAGE BECAUSE OF OUR:**



DEEP EXPERTISE:

Creating over 740 tailored engineered solutions

Offering cost sensitive designs with manufacturing efficiencies

A history of innovation recognized with 7 awarded patents

In-house gear manufacturing offers supply chain predictability



OUR 40-YEAR COMMITMENT:

Excellent customer service

"Best in class" partnership with OEM industry leaders

Our entrepreneurial size ensures personal executive level accountability and responsiveness



DEEP INDUSTRY KNOWLEDGE & FOCUS:

Insights and solutions to your specific challenges & opportunities

We know your competitive landscape

EXPERIENCE THE DIFFERENCE OUR DEDICATION TO INNOVATION, QUALITY AND SERVICE MAKES.

Contact us at sales@asidrives.com to explore how we can quickly solve your most pressing challenges.

